

StocksAG

FAN JET ATV KIT

ORIGINAL OPERATING MANUAL & PARTS LIST



Read carefully before installation and operation

This document must not be copied duplicated or distributed without prior consent.
All intellectual property and patent rights apply.



Stocks Ag Limited.

Cromwell Road, Wisbech, Cambridgeshires, PE14 0SD, UK
01945 464909 sales@stocks-ag.co.uk www.stocks-ag.co.uk



E.C. DECLARATION OF CONFORMITY

Machine Type: Mounted Agricultural Implement - Pellet and Seed application broadcasters

Model(s):	Fan Jet Pro	All Variants and Versions
	Fan Jet Pro Plus	All Variants and Versions
	Fan Jet Twin	All Variants and Versions
	Fan Jet Mini	All Variants and Versions
	Fan Jet Duo	All Variants and Versions
	Turbo Jet	All Variants and Versions
	Rotor Meter	All Variants and Versions
	Rotor Meter Air Force	All Variants and Versions
	Micro Meter	All Variants and Versions
	Maxi Meter	All Variants and Versions

Serial No.

Manufacturer: Stocks Ag Ltd
Cromwell Road
Wisbech
Cambridgeshire PE14 OSD
United Kingdom


This is to declare that the above machine conforms to the relevant Essential Health and Safety Requirements of the Machinery Directive 2006/42/EC, implemented in the United Kingdom by Statutory Instrument 2008 No. 1597 – The Supply of Machinery (Safety) Regulations 2008 as amended.

The following standards have been applied in the design and construction of this machine:

BS EN ISO 12100:	2010	Safety of machinery – General principles for design – Risk assessment and Risk reduction.
BS EN ISO 4254-1:	2015	Agricultural machinery – Safety - General requirements.
BS EN ISO 4254-8:	2018	Agricultural machinery. Safety - Solid fertilizer distributors
BS EN ISO 13854:	2019	Safety of machinery – Minimum gaps to avoid crushing of parts of the human body.
BS EN ISO 13857:	2019	Safety of machinery – Safety distances to prevent hazard zones being reached by the upper and lower limbs.

The manufacturer stated above holds the technical file for this machine.

Signed on behalf of Stocks Ag Ltd


Name:..... **J Woolway**

Date: 06th August 2020

Position: Managing Director



t. +44 (0) 1945 464909 f. +44 (0) 1945 464985 e. sales@stocks-ag.co.uk



UKCA. DECLARATION OF CONFORMITY

Machine Type: Mounted Agricultural Implement - Pellet and Seed application broadcasters

Model(s):	Fan Jet Pro	All Variants and Versions
	Fan Jet Pro Plus	All Variants and Versions
	Fan Jet Twin	All Variants and Versions
	Fan Jet Mini	All Variants and Versions
	Fan Jet Duo	All Variants and Versions
	Turbo Jet	All Variants and Versions
	Rotor Meter	All Variants and Versions
	Rotor Meter Air Force	All Variants and Versions
	Micro Meter	All Variants and Versions
	Maxi Meter	All Variants and Versions

Serial No.

Manufacturer: Stocks Ag Ltd
Cromwell Road
Wisbech
Cambridgeshire PE14 OSD
United Kingdom


This is to declare that the above machine conforms to the relevant Essential Health and Safety Requirements of the Machinery Directive 2006/42/EC, implemented in the United Kingdom by Statutory Instrument 2008 No. 1597 – The Supply of Machinery (Safety) Regulations 2008 as amended.

The following standards have been applied in the design and construction of this machine:

BS EN ISO 12100:	2010	Safety of machinery – General principles for design – Risk assessment and Risk reduction.
BS EN ISO 4254-1:	2015	Agricultural machinery – Safety - General requirements.
BS EN ISO 4254-8:	2018	Agricultural machinery. Safety - Solid fertilizer distributors
BS EN ISO 13854:	2019	Safety of machinery – Minimum gaps to avoid crushing of parts of the human body.
BS EN ISO 13857:	2019	Safety of machinery – Safety distances to prevent hazard zones being reached by the upper and lower limbs.

The manufacturer stated above holds the technical file for this machine.

Signed on behalf of Stocks Ag Ltd

Name:  **J Woolway**

Date: 01st December 2020

Position: Managing Director

t. +44 (0) 1945 464909 f. +44 (0) 1945 464985 e. sales@stocks-ag.co.uk



Index

Section		Page
	E.C. DECLARATION OF CONFORMITY	3
	UKCA. DECLARATION OF CONFORMITY	4
1.0	General Information	5
1.1	Technical Data	5
1.2	Intended Use	5
1.3	Unintended Use	5
1.4	Warranty	6
2.0	Safety	7
3.0	Storage	7
4.0	Fitting Instructions	8
5.0	ATV Kit Parts Diagram	9
6.0	ATV Kit Parts List	10

1.0 General Information

Congratulations on your ATV Kit purchase:

Please check the machine for any transport damage upon receipt and advise your supplier of any problems immediately. Late claims regarding any damage may be rejected.

Specifications, descriptions and illustrations in this manual are accurate at the time of this publication but may be subject to change. This manual is correct at the time of printing but Stocks AG reserve the right to change and improve them. This machine is designed with safety in mind. Maintenance and servicing in accordance with this manual will ensure safe operation and reliability of your machine for many years.

This Operating Manual forms part of the machine and must be readily available for the operator who must read and follow the points covered before use.

1.1 Technical Data

Model: ATV Kit FJ-005-BKT

Net weight: 13.5kg

Dimensions Boxed: 69cm x 31cm x 19cm

1.2 Intended Use

This kit has been designed for use in the agricultural, horticulture, and amenity sector to provide a quick and easy way to attach your machine to the rear carrier of an ATV.

The Stocks ATV Kit provides a quick and easy way to attach your Fan Jet to the rear carrier of your ATV. Designed as a universal fitment to elevate the Fan Jet to gain more height to the spinning disc.

The formed steel base plate with quick fit clamps and jacking screws to mount the machine to the base plate and to adjust the angle of the disc when the ATV is fully laden.

The kit includes an operator protection plate which bolts onto the back frame of the machine plus a short power and connector cable to maximise the power at the disc motor.

These are to be fitted rather than the standard length cables supplied with the Fan Jet machine.


NOTE: We do not recommend Fan Jet Pro 130 Litre machines be fitted to ATV's for Slug Pellet application due to the laden weight and instability with a full hopper.

Any other use is considered to be non-intended and the manufacturer will not be liable for any resulting damage.

The manufacturer is not liable for any resulting damage if the machine is used for any other purpose than the intended use and also includes compliance with the conditions for operation, maintenance, and repairs prescribed within this instruction manual.

The applicable accident prevention regulations as well as the other generally safety-related, occupational health and road traffic regulations must also be observed.

NOTE: Always ensure the load rating of any ATV rear carrier is adequate before fitment, if unsure contact your ATV supplier. It is the operators responsibility not overload the ATV vehicle.

 **WARNING!** Be aware the laden weight of the machine fitted as it may affect stability of your ATV.

1.3 Unintended Use

This machine is not designed to apply abrasive materials such as sand & grit or for applying salt products

The operator alone bears the associated risk if used for non-intended use.

1.5 Warranty

We provide a 12 month warranty from the date of invoice (the invoice for the machine will serve as a warranty certificate).

This warranty is applicable for cases of material or construction faults and does not include parts that are damaged by normal or excessive wear.

Warranty expires if damage is caused by external forces, operator error, modifications or if the machine has been used for unintended use.

In the event of any problems, or before attempting any repair please contact the company from where the machine was purchased. If the base machine or the controls system are modified in any way this will void any warranty claim.

Please see our conditions of sale for full details, a copy of which is available upon request.

Please record the machine serial number here: S/N

Purchase date: Dealer

2.0 Safety

Ensure care is taken when lifting the machine. Safe lifting practice to be observed when handling as the net weight is over 25kg



- We advise safety shoes and protective gloves are worn when handling the machine.
- Assistance will be required when lifting or lowering the machine.
- Care to be taken to avoid crushing due to the weight of the machine.
- When lifting or fitting the machine on to a parent vehicle or implement ensure work is performed on level ground or flat surface to avoid slipping, stumbling or falling.

PERSONAL PROTECTION EQUIPMENT

It is the responsibility of the operator or maintenance engineer to ensure safe handling of the machine and the appropriate personal protection equipment must be worn for the material being applied and to prevent contamination to the machine or the environment.

3.0 Storage

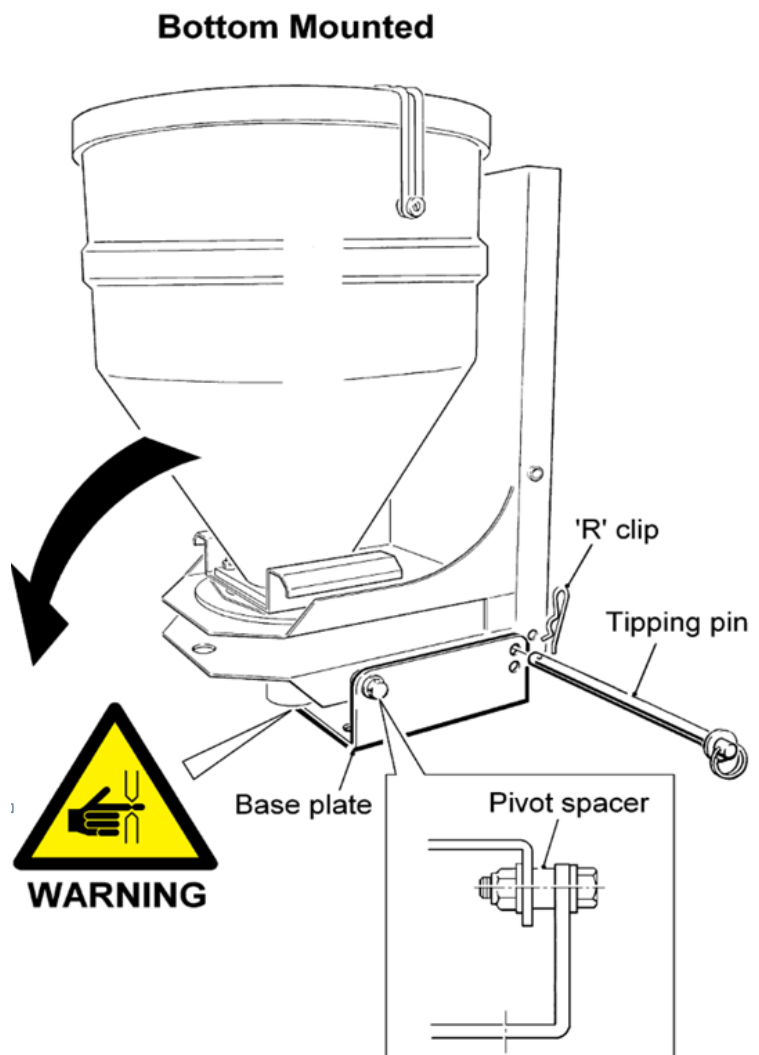
It is the responsibility of the operator to ensure the ATV Kit is cleaned before storage.

Store in dry conditions, always clean and spray perishable components with a moisture repellent spray when not in use for long periods.

4.0 Fitting Instructions

For ease of fitment we recommend that the Base Plate (FJ514A) be removed from the Fan Jet before fitting to the ATV bracket.

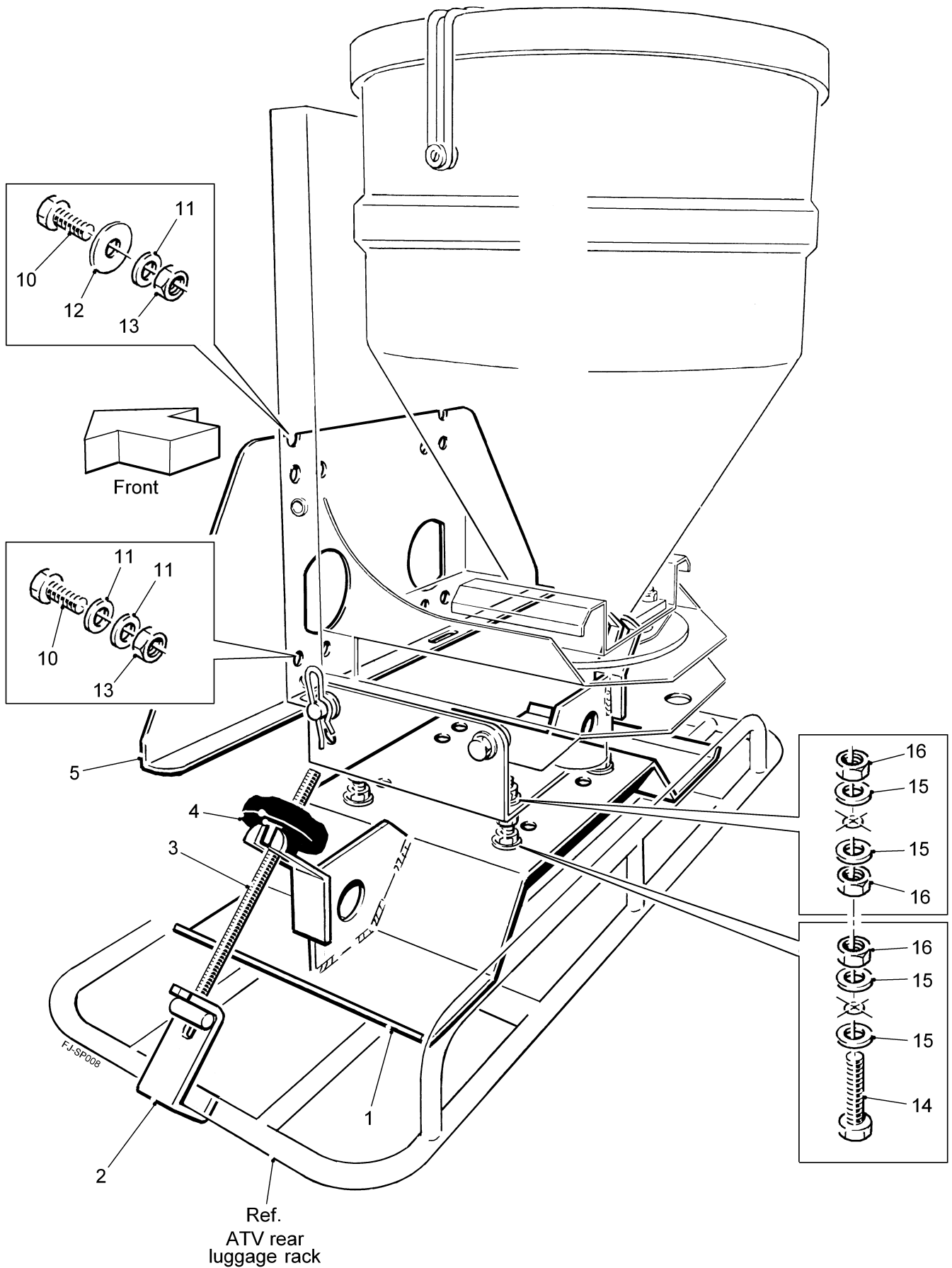
1. Take out the retaining "R" Clip from the tipping pin and remove
2. Remove the two M12x35 pivot bolts (note the position of the white nylon pivot spacers for reassembly)
3. Attach the ATV bracket (1) to the rear luggage carrier using the Hooks (2) and "T" Bolts (3) Tighten with the Hand Knobs (4) and ensure the bracket is secure.
4. Attach the Fan Jet Base Plate to the using the four sets of M12 x 60 setscrews, nuts and washers (items 14,15 16) using these jacking screws to level the Fan Jet (to compensate for the weight of the operator and the loaded weight of the Fan Jet on the suspension).
5. Re-attach the Fan Jet machine to its Base Plate with the two sets of M12 x 35 bots, nuts , washers and white nylon pivot spacers in the front two holes and replace the Tipping pin and retaining "R" clip.
6. Attach the driver protection plate (5) to the rear of the Fan Jet chassis (using fixings 10,11,12,13
7. Mount the control panel in a suitable position.
8. Connect the 4way connector cable from the control panel to the machine.



NOTE: Always use the short electrical power cable and connector cable supplied in the kit to minimise power drop and to ensure maximum power to the disc motor

NOTE: Always connect the fused power cable direct to the ATV battery.

5.0 ATV Kit Parts Diagram



6.0 ATV Kit Parts List

Item	Part #	Description	Quantity	Remarks
1	FJ064A-Ass.	Mounting Plate Weld Assembly	1	
2	FJ062A	Mounting Bracket	2	
3	FJ060B	"T" Bolt	2	
4	FJ092A	M12 Knob	2	
5	FJ066A	Rear Shield	1	
6	FJ107E	2m Power Lead	1	(not shown)
7	FJ112E	2.5m Connector Cable	1	(not shown)
10	M10-002	M10 x 20 Set Screw	4	
11	M10-016	M10 Flat Washer	6	
12	M10-018	M10 Repair Washer	2	
13	M10-024	M10 Nyloc Nut	4	
14	M12-005	M12 x 60 Set Screw	4	
15	M12-008	M12 Flat Washer	16	
16	M12-012	M12 Full Nut	12	